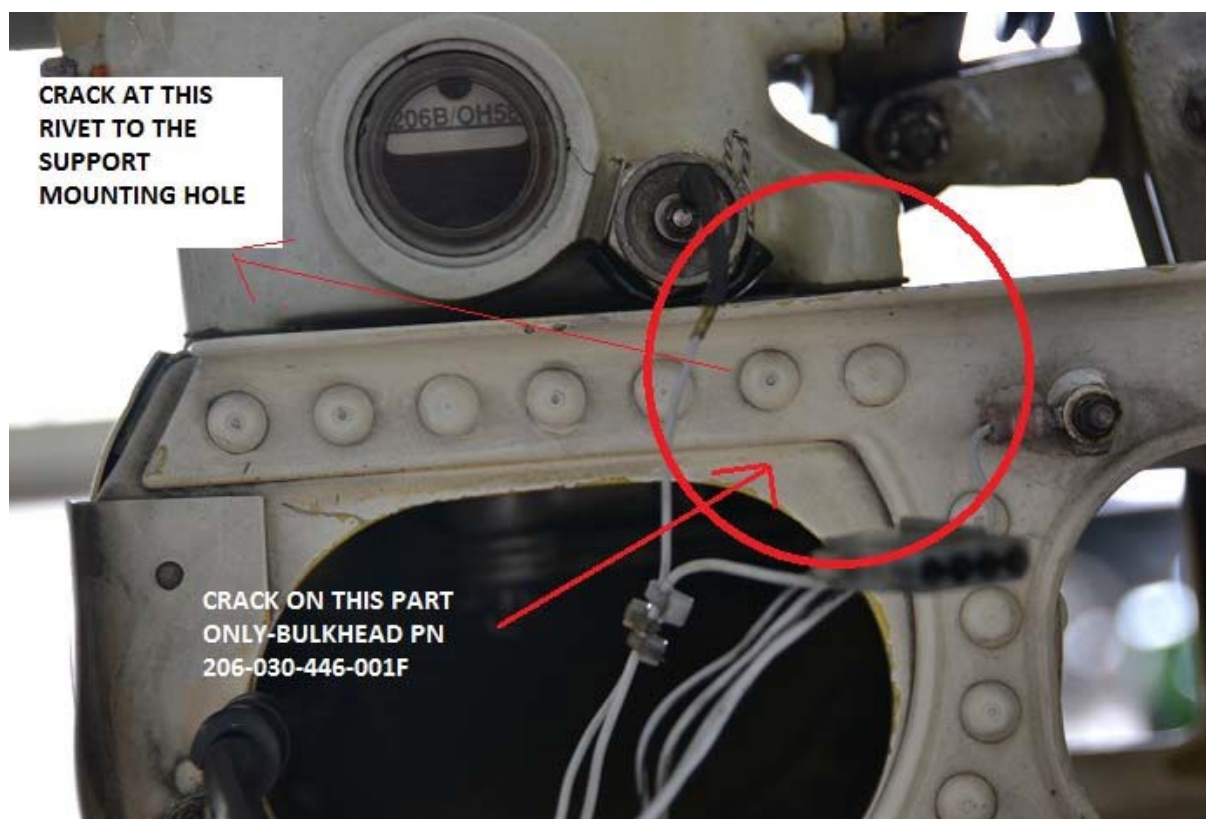


## Bell 206B, Cracked Tail Rotor Gearbox Support, ATA 5302

An Air Carrier provides the following defect report. "The tail rotor gearbox support bulkhead cracked at the right-rear mounting hole—(*progressing*) to the second rivet inboard on the gear box support."



Bell 206B, Cracked Tail Rotor Gearbox Support, ATA 5302

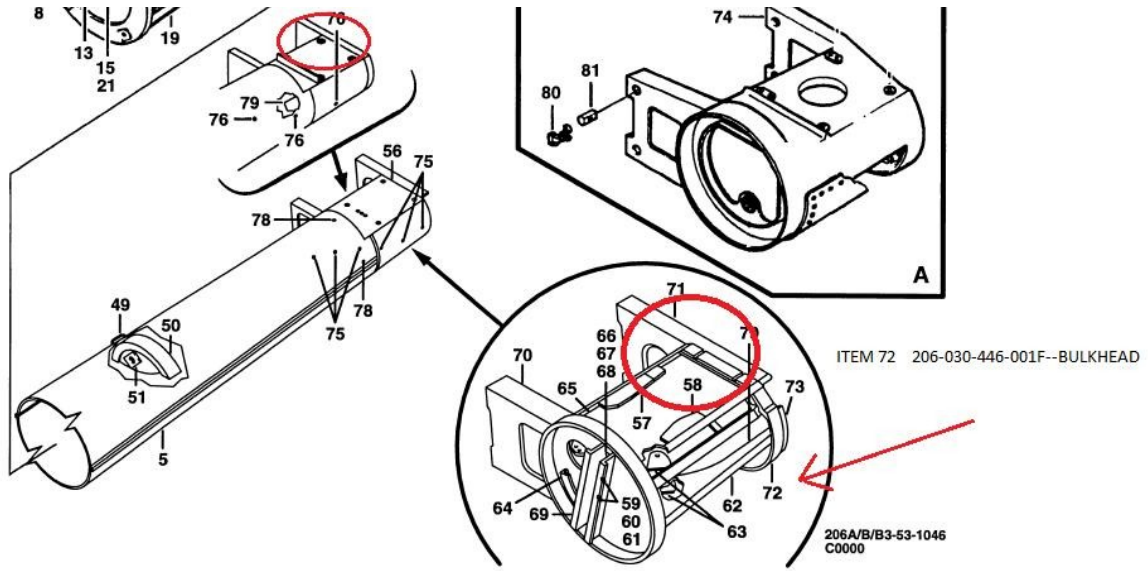


Figure 53-40. Tailboom assembly

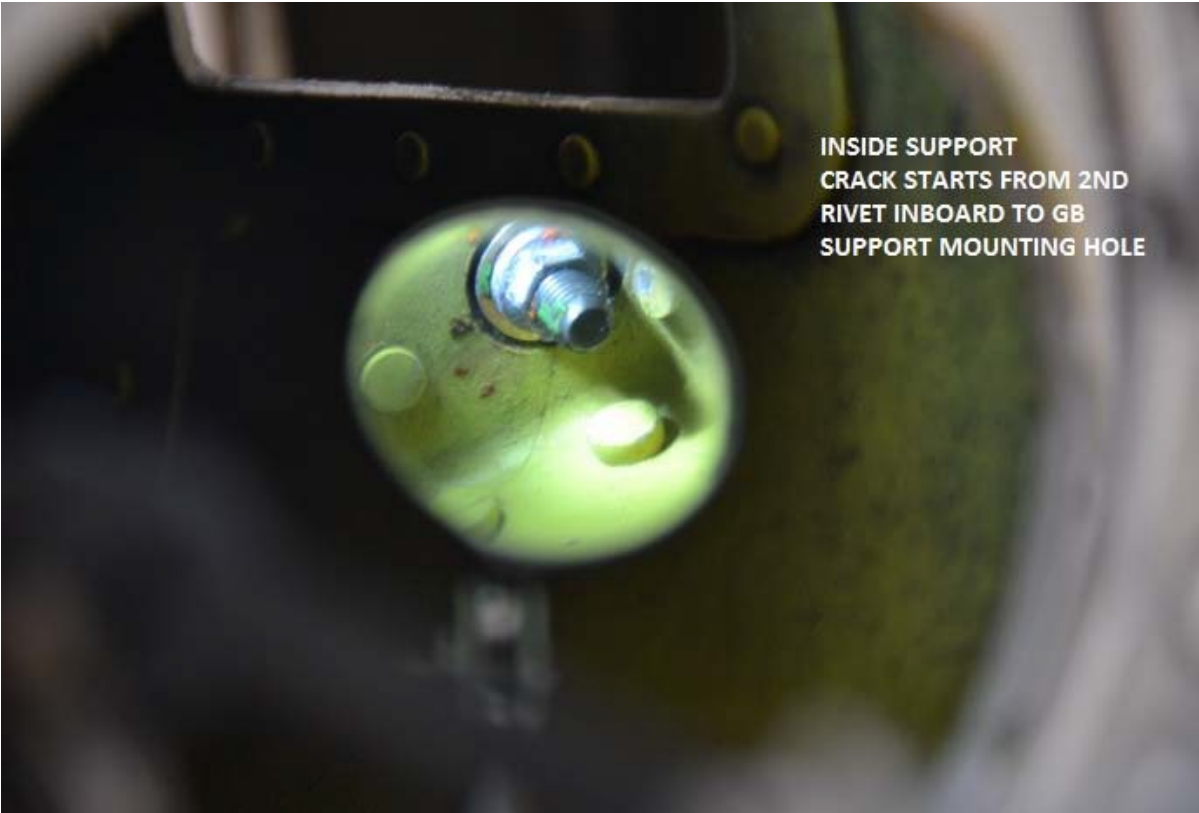
BELL 206B3

53-99-00  
Page 150

TAIL BOOM PN# 206-031-004-115---TR GEARBOX PN# 206-040-400-013



**Bell 206B, Cracked Tail Rotor Gearbox Support, ATA 5302**



(Bulkhead P/N: 206030446001F. There are seven such entries for this P/N in the SDRS database. This last photo gets a blue ribbon—and the eyeballs too! Ed.)

Part Total Time: 13,811.0 hours